



OZ Excavator Buckets Pty Ltd

7 Argon St Sumner Park Qld 4074

Phone: 07 3712 0355 Fax: 07 3712 0311

Web: www.ozbuckets.com.au

PRODUCT ORDER FORM

CUSTOMER INFORMATION

Company					Order #	
Contact					Mobile	
Address					Post Code	
Phone		Fax		Email		

MACHINE SPECIFICATIONS

Make		Colour	
Model		Type Of Hitch	
Capacity	ton		

PICKUP MEASUREMENTS (refer to drwg)

A	Pin diameter	mm
B	Inside boss	mm
C	Pin Centres	mm

CROWD (refer to drwg)

More	
Standard	
Less	

PRODUCT ORDER

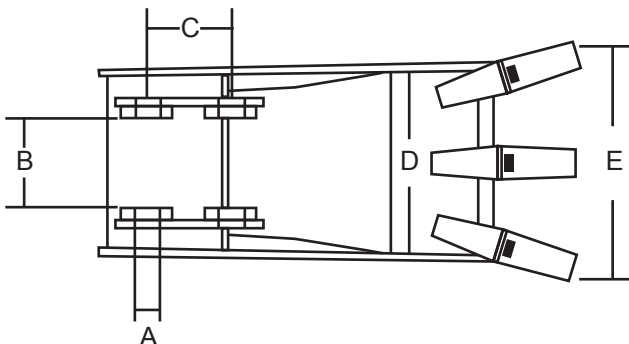
Product Description	Qty	Item Price Excl GST	Width (refer drwg)		Bolt on Edge	Side Cutters	Pin Requirements			
			Nom D (mm)	Dig E (mm)			Welded In	Removable Bolt & Nut	Circlip	Qty 0, 1 or 2

DELIVERY OR PICK UP INSTRUCTIONS

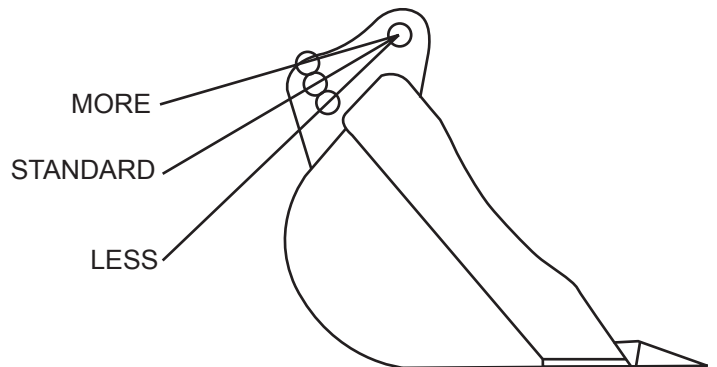
--

AUTHORIZED BY CUSTOMER

Name		Date		Signature	
------	--	------	--	-----------	--



PICKUP MEASUREMENTS



CROWD